

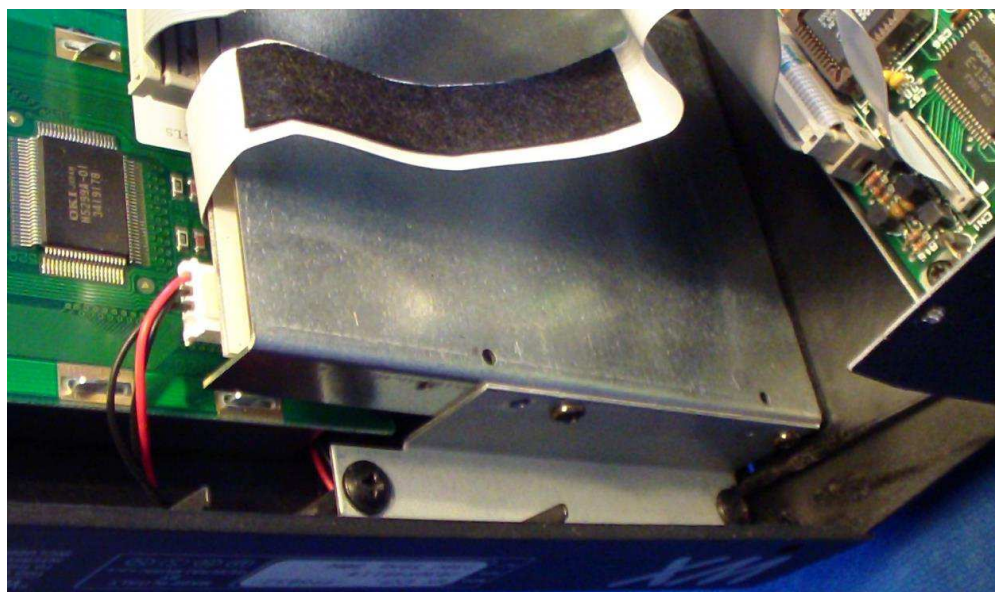
Assembly of the HxC Floppy in GEM WX-Expander

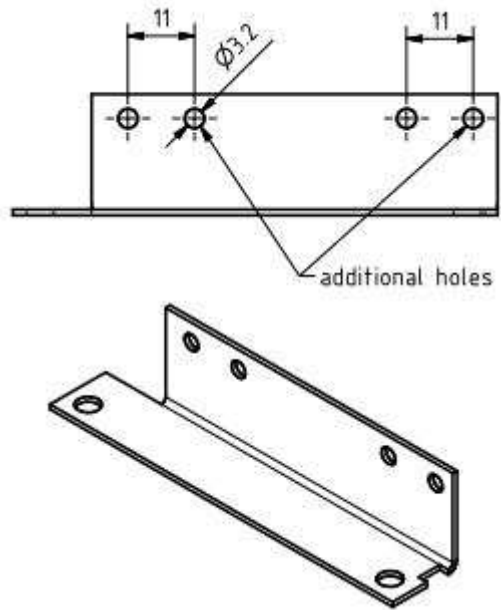


The original floppy of the Generalmusic WX-Expander is an extra small type. There is not enough space for the SD type of the HxC floppy emulator. A solution for this problem is to let project the emulator 11mm over the housing of the WX-Expander. To arrive this solution, two mechanical modifications are to do.

Procedure:

1. Drill two additional holes in both holding brackets of the original floppy.





2. Cut out the opening in the housing to 102x25mm (the frame is matching).



The built in floppy emulator looks better when painted in dull black.