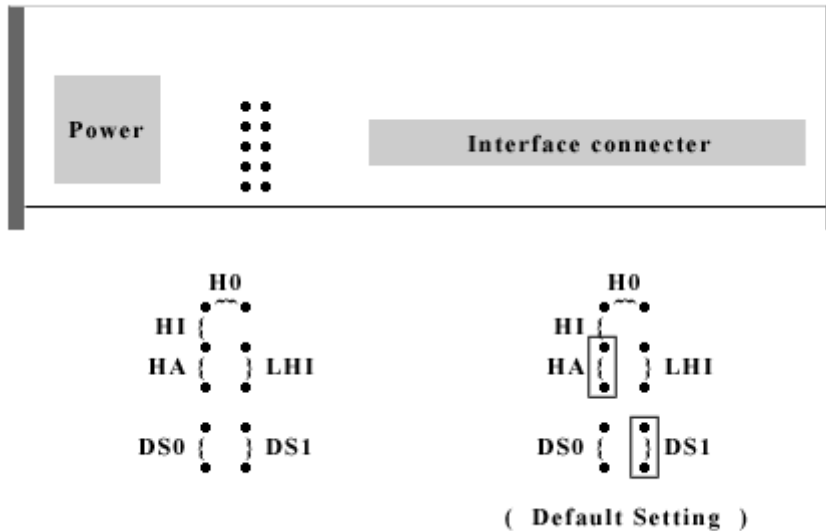


TEAC*Technology and Philosophy of TEAC: Essential to Multimedia Computing.*[Home](#)[Products](#)[Download](#)[About](#)

Jumper Setting

FD-235 SERIES (Default setting of all models is one for PC/AT.)

FD-235 (P/N:1930734x-xx *)



HO : High density output (pin2 is out high levels when media is high density.)

HI : High density input (host controls this pin. Density set HD IN on pin2.)

HA : High density auto (Density set automatically.)

LHI : Low level high density input (This jumper change the level meaning of the HI signal.)

DS0 : Drive Select 0

DS1 : Drive Select 1

FD-235 (P/N:1930775x-xx * or 1930777x-xx *)



DS0 : Drive Select 0

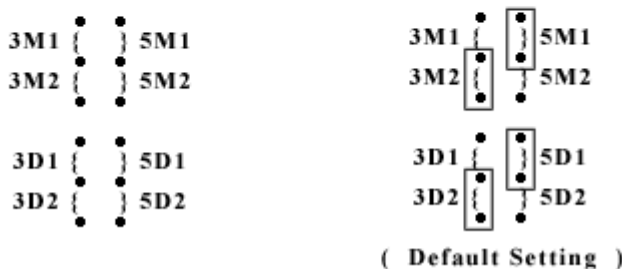
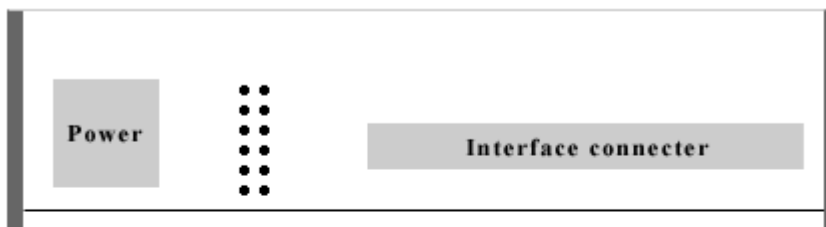
DS1 : Drive Select 1

FD-235 (P/N:1930777x-xx *)

This model have no jumpers.Default setting is one for PC/AT.

(note* : numbers of x is any.)

FD-505



Jumper		Function
5. 25" FDD	5M1 :	MOTOR ON 1
	5M2 :	MOTOR ON 2
	5D1 :	DRIVE SELECT 1
	5D2 :	DRIVE SELECT 1

3.5" FDD	3M1 :	MOTOR ON 1
	3M2 :	MOTOR ON 2
	3D1 :	DRIVE SELECT 1
	3D2 :	DRIVE SELECT 1

Copyright (C) TEAC Corporation. All rights reserved.