

# Designing with the DP8465

National Semiconductor  
Application Note 416  
Kern Wong  
February 1986



Designing with the DP8465

## GENERAL DESCRIPTION

The DP8465 is a second generation of the successful DP8460 high performance PLL integrated circuit family of data separators/synchronizers. Like its predecessor, the DP8460, it consists of a proprietary pulse-gate which features an accurate silicon delay line, an edge-triggered digital phase comparator, a high speed matched charge pump, high impedance buffer amplifier, and a temperature compensated stable voltage controlled oscillator (VCO). The DP8465 also contains MFM decoder, missing clock detector, and lock-detect control circuitry for added flexibility to the system designer. There is one difference between the DP8460 and the DP8465. The DP8465 has been designed to perform PHASE FREQUENCY COMPARISONS during the non-read mode and switches to phase comparisons only when in the read mode, whereas the DP8460 employs only phase comparisons in both the read and non-read modes. This enhancement eliminates the possibility of false lock to the reference signal during a power-up sequence or when returning from a read operation. The DP8465 is 100% pin-for-pin and function-for-function compatible with the DP8460. It is a direct replacement for the DP8460 part type.

## CIRCUIT OPERATION

The DP8465 is in the non-read mode whenever the READ GATE is deasserted. The 2F REFERENCE CLOCK input is divided by two and transmitted to the READ CLOCK output via a multiplexer. In this mode the VCO is locked onto the 2F CLOCK, keeping the VCO close to the data frequency in anticipation of locking onto the actual data stream. During the non-read mode PHASE-FREQUENCY COMPARISONS are employed, thus eliminating any possibility of false lock. When the READ GATE input goes high, the DP8465 enters the read mode after a selectable delay time. This may be either one or thirty-two VCO clock cycles. The 2-byte delay is useful in hard-sectored drives for allowing a gap pattern to pass before the PLL locks onto the data. Soft-sectored drives do not need this delay. Once in the read mode, the PLL reference input is switched from the 2F CLOCK source to the ENCODED DATA input. The PULSE GATE allows a reference signal from the VCO into the PHASE COMPARATOR only when an ENCODED DATA bit is valid, thus PHASE-ONLY comparisons are made. The PLL, initially in the high-tracking mode, then attempts to quickly lock onto the repetitive encoded preamble.

By careful selection of the loop filter components, it takes less than one byte time for the VCO to lock onto the data stream sufficiently for preamble detection to begin. As soon as 2 bytes of the selected (ones or zeroes pattern) preamble are detected, the LOCK DETECTED output goes low. In a typical disk drive application, the LOCK DETECTED output may be directly connected to the SET PLL LOCK input. A low level on the SET PLL LOCK input causes the PLL CHARGE PUMP to switch from a high to low tracking-rate. At the same time the source of the READ CLOCK signal is switched from the 2F CLOCK input to the VCO clock. The MFM decoder also becomes enabled and begins to output decoded NRZ data. If the DP8465 is employed as a data-separator for MFM encoded data, the READ CLOCK output and the NRZ READ DATA output (which is synchronized to the READ CLOCK) may be used. These signals can be

connected directly to a Disk Data Controller such as the DP8466 which controls Winchester or floppy disk drives. The MISSING CLOCK DETECTED output can also be utilized for MFM-encoded data in soft-sectored disk drives. It should be noted, however, the circuit is designed only to recognize a missing MFM clock-bit which is framed by two existing clock bits. In order to insure the detection of an address mark, simultaneous monitoring of the NRZ output for an "A1" hexadecimal code and the MISSING CLOCK DETECTED output for a single pulse within the same byte time is necessary.

When the READ GATE goes low, signifying the end of a read operation, the PLL reference signal is switched back to the 2F CLOCK, the LOCK DETECTED output goes high, and the VCO gating circuitry within the PULSE GATE is bypassed thus allowing PHASE and FREQUENCY comparisons to occur. The PLL then returns to the high tracking rate and the output signals return to their initial conditions.

If the chip is used as a data-synchronizer for MFM (on-chip data decoding not necessary) or other popular RLL codes, the SYNCHRONIZED DATA OUTPUT and the VCO CLOCK OUTPUT should be used. External decoding can be accomplished either in commercially available controller chips or via an encoder-decoder circuit, or by the customer's proprietary design.

## PHASE ONLY VS. PHASE-FREQUENCY COMPARISON OPERATION

As mentioned above, the function of the PLL is to maintain phase and frequency lock between the reference signal (2F CLOCK or ENCODED DATA) and the feedback signal (VCO). A comparator that performs only phase comparison is mandatory during read-mode in order to handle the non-periodic nature of various coding schemes. With this type of detector, the phase-locked-loop functions as a feedback loop in which it responds only to the phase differences between the input and the feedback waveforms. As long as the reference and VCO signals have their edges aligned (are in phase lock) the PLL is insensitive to their frequency relationship.

During the nonread mode the PLL is required to lock onto the 2F CLOCK, a specific frequency reference that is close to the data rate. If a disturbance is somehow introduced in the system which results in cycle slipping or prolonged transient behavior of the reference clock, false lock may occur if a PHASE-ONLY comparator is being used. Under these circumstances PHASE comparison alone may be inadequate, since it discriminates only phase and not frequency information. A PHASE-FREQUENCY-COMPARATOR, therefore is employed within the DP8465 during this mode of operation. This comparator performs identically to the PHASE-COMPARATOR in the case when both inputs to the comparator have the same frequency; however, if the inputs exhibit the slightest frequency offset, the PHASE-FREQUENCY-COMPARATOR also provides a frequency-sensitive error correction signal to ensure frequency acquisition.

The PULSE GATE has two important functions. It ensures a continuous PLL lock in the presence of bit gaps encountered on the media and in the bit stream. It also provides a

AN-416

precise time delay (independent of process and external component variations) necessary to align the incoming data with the center of the decoding window. The delay is exactly one half the period of the 2F CLOCK and the delay generator is referenced to the 2F CLOCK. This allows input bit jitter up to  $\pm$  half the 2F CLOCK period.

The PULSE GATE incorporated in the DP8465 has two multiplexers which allow the circuit to switch from PHASE-FREQUENCY comparison to PHASE-ONLY comparison as the circuit switches from non-read mode to read mode. *Figure 1* is a block diagram of the PULSE GATE and details how this is accomplished. The delayed output of MUX-1 is shown to be compared with either the GATED VCO or the VCO DIVIDED BY TWO. The two VCO signals are multiplexed, with the INTERNAL READ GATE as the control signal, and the output is connected to the PHASE-FREQUENCY-COMPARATOR. When INTERNAL READ GATE is inactive (non-read mode) the 2F CLOCK DIVIDED BY TWO and the VCO DIVIDED BY TWO signals are selected by MULTIPLEXER-1 and MULTIPLEXER-2, respectively. In this configuration, phase and frequency comparisons are made between them and the possibility for a false lock occurrence is eliminated. When the INTERNAL READ GATE is active (read mode), however, the ENCODED DATA and the GATED VCO signals are selected by the multiplexers. Through the circuit configured by the D-type flip-flops and the OR gate, the comparator effectively performs PHASE-ONLY comparisons (an INTERNAL VCO pulse is allowed to reach the input of MUX-2 only when an ENCODED DATA pulse is sensed). Thus, the DP8465 chip guarantees proper frequency lock of the VCO to the 2F REFERENCE CLOCK during the non-read mode, and it performs the necessary phase-only comparison during the read mode.

#### DATA SEPARATOR APPLICATION PROBLEMS

Following are some common application problems for many data separator circuit designs. The purpose of this application note is to identify these problems and to propose simple solutions. Thus, our DP8465 users will be able to avoid these potential application problems.

##### A) Loss of lock during read mode

In some systems the controller asserts the READ GATE randomly along a formatted track. If the READ GATE is asserted over a write splice, which usually contains unintelligible information, the PLL might false lock to some harmonic of the data, or it might be pushed to either extreme of its allowed frequency swing. Similarly, when the READ GATE is asserted over a data field, the PLL might lock to a harmonic of the data.

To recover from this problem a recovery routine must be implemented by the disk controller. This routine should toggle READ GATE so that the PLL can lock back to the 2F REFERENCE CLOCK and, after waiting a sufficient amount of time (to frequency lock to the crystal), activate READ GATE to retry the read operation.

A superior controller PLL algorithm only allows assertion of the READ GATE over a preamble or similar high frequency pattern. An example of such an algorithm is as follows:

- 1) Deassert READ GATE—allow a 4 byte time minimum for the PLL to lock to the 2F-REFERENCE CLOCK.
- 2) Wait for 2.5 bytes of valid preamble pattern.
- 3) Assert READ GATE
- 4) If valid preamble continues for 5 or more bytes then go to 5; otherwise go to 1.

- 5) "LOCK DETECTED" becomes active, AM search begins.
- 6) If AM is found, then continue the read routine; otherwise go to 1.

##### B) False lock in the non-read mode

The DP8465 **has been specifically designed to eliminate the possibility of false lock during the non-read mode**. This is accomplished by the use of a phase-frequency comparator in the non-read mode as was described in the PULSE GATE section.

False lock during the non-read mode can occur by two means in systems using phase only comparisons in the non read mode. When the power supply of the PLL circuit is switched on for the first time, the VCO ramps toward the reference frequency. The acquisition process may lock the VCO to some harmonic of the 2F REFERENCE CLOCK if the bandwidth (capture range) is not high enough. False lock can also occur in the non-read mode after an aborted read operation as described above. If the VCO has either lost lock or has been driven far from its center frequency while trying to read, then while re-locking to the crystal, if the capture range is not wide enough, false lock might occur.

##### C) Quadrature Lock

Quadrature lock is a phenomenon which may occur when the periodic pulses in the PLL synchronization field become distorted such that they appear as periodic pulse-pairs as shown in *Figure 3*. This phenomenon is usually caused by the read channel electronics or recording components in the disk drive and may give rise to a false lock condition in the PLL known as quadrature lock.

Within the standard synchronization field which precedes the data field, bits are recorded at a constant frequency for a time sufficient to allow the PLL to acquire lock. With normal recording and read-circuit behavior, this synchronization information reaches the PLL as a continuous, periodic data stream. In some disk drives, if an offset has somehow been induced into the recorded information, or if a read-channel asymmetry exists within the drive electronics which skews the flux reversal zero-crossing point, the synchronization field waveform which reaches the PLL may appear in the form of periodic pulse-pairs. This condition only arises when a repetitive pattern is present, and gives rise to the occurrence of quadrature lock. Note that quadrature lock is actually more prone to occur within systems where a low-noise design has minimized the randomizing effect which noise has on bit position.

##### Optional External Quadrature Lock Circuitry

To eliminate the possibility of a quadrature lock condition, a simple circuit (4 passive components) solution may be employed to prevent its occurrence. The circuit shown in *Figure 2* has the effect of forcing a misalignment of the data synchronization window with respect to the input pulse pattern should the quadrature condition occur. This circuit does not affect PLL operation once proper lock has occurred, and it is disabled once PLL LOCK has been detected by the DP8465. Although a recommended value is given for the resistor in the support circuit, some experimentation may be required in determining an optimum value for use within any particular system. *Figure 3* shows a diagrammatic representation of the quadrature lock waveforms.

#### D) VCO Jitter

The recommended starting value for the charge pump current setting resistor,  $R_{RATE}$ , was initially 1.5 k $\Omega$ . It has been found that maintaining a value of  $R_{RATE}$  at or below 820 $\Omega$  has a stabilizing effect on the jitter performance of the VCO circuitry. Thus, we recommend that this 820 $\Omega$  value be substituted for the originally recommended value of 1.5 k $\Omega$ .

As shown in the DP8465 data sheet, the minimum value of  $R_{RATE}$  is 400 $\Omega$ . When choosing values for  $R_{RATE}$  and  $R_{BOOST}$ , the only requirement is that the total charge pump input current is less than or equal to 2 mA. This requirement can be met by adhering to the following requirement on the parallel combination of  $R_{RATE}$  and  $R_{BOOST}$ .

$$R_{RATE} \parallel R_{BOOST} \geq 350\Omega$$

(i.e., the parallel value of  $R_{RATE}$  and  $R_{BOOST}$  should not fall below 350 $\Omega$ .)

When the  $R_{RATE}$  value adjustment is implemented, all other component values associated with the loop filter must also be modified in order to maintain the original PLL response characteristics within the disk data field. The DP8465 Data Sheet shows a sample filter calculation and also several sets of loop filter component values for different values of  $R_{RATE}$ .

#### SUMMARY

The DP8465 is one of National's second generation single-chip high performance PLL circuits for application in disk memory systems. It features a comparator with both phase-frequency and phase-only comparison capabilities. The DP8465 offers significant savings of cost and time in production, test, and maintenance since only a few fixed passive components are required for operation. The need to trim any external components has been eliminated and since no external components determine window accuracy, the performance will not be sensitive to external variations. The chip requires a single +5V supply and it is housed in a narrow 24-pin dual-in line package (also available in 28-pin PCC package). The DP8465 is a direct replacement for the DP8460 and it may be used either as a data synchronizer for MFM or any of the existing Run-Length-Limited codes, or as a data separator for MFM.

For further information, the reader should also refer to the National Semiconductor Application Note 414, Precautions for Disk Data Separator (PLL) Designs.

#### Pulse Gate Block Diagram

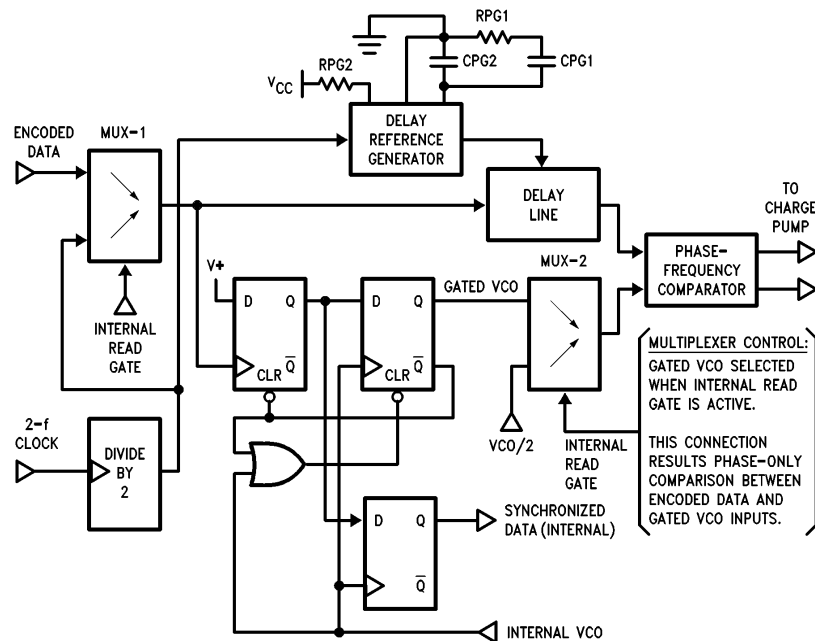
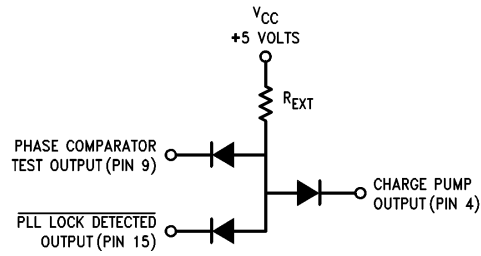


FIGURE 1.

TL/F/8600-1



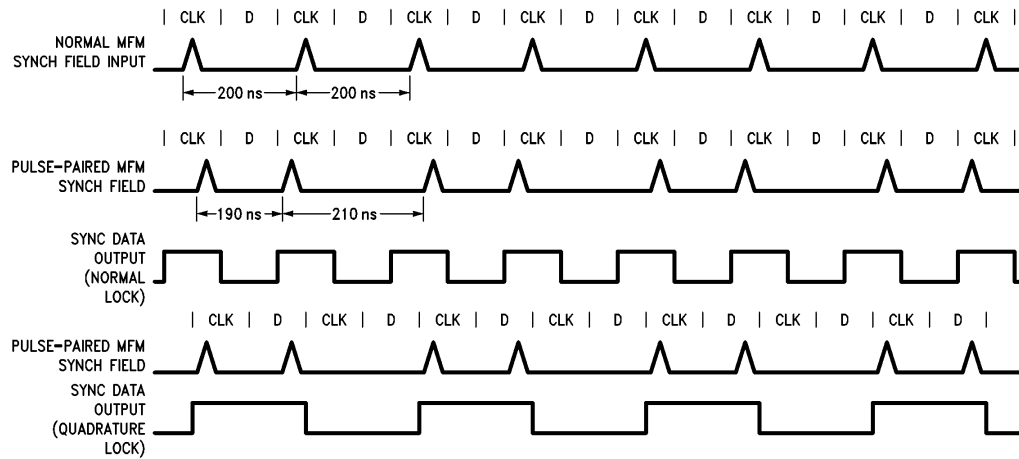
TL/F/8600-2

Recommended value for  $R_{EXT}$ :  $10 [R_{RATE} || R_{BOOST}] \leq R_{EXT} \leq 20 [R_{RATE} || R_{BOOST}]$ .

Diodes must be carefully chosen for minimal zero-bias capacitance and reverse leakage current (2 pF and 100 nA or better are recommended values, respectively).

Recommended diode types: 1N4448  
1N4148  
1N914

**FIGURE 2. External Circuitry Used to Insure Correct PLL Lock to a Pulse-Paired Synchronization Field**



TL/F/8600-3

**FIGURE 3. Timing Diagram of PLL Quadrature Lock Within a Symmetrically Pulse-Paired Synch Field**



**LIFE SUPPORT POLICY**

NATIONAL'S PRODUCTS ARE NOT AUTHORIZED FOR USE AS CRITICAL COMPONENTS IN LIFE SUPPORT DEVICES OR SYSTEMS WITHOUT THE EXPRESS WRITTEN APPROVAL OF THE PRESIDENT OF NATIONAL SEMICONDUCTOR CORPORATION. As used herein:

1. Life support devices or systems are devices or systems which, (a) are intended for surgical implant into the body, or (b) support or sustain life, and whose failure to perform, when properly used in accordance with instructions for use provided in the labeling, can be reasonably expected to result in a significant injury to the user.
2. A critical component is any component of a life support device or system whose failure to perform can be reasonably expected to cause the failure of the life support device or system, or to affect its safety or effectiveness.



**National Semiconductor Corporation**  
 1111 West Bardin Road  
 Arlington, TX 76017  
 Tel: 1(800) 272-9959  
 Fax: 1(800) 737-7018

**National Semiconductor Europe**  
 Fax: (+49) 0-180-530 85 86  
 Email: onjwge@tevm2.nsc.com  
 Deutsch Tel: (+49) 0-180-530 85 85  
 English Tel: (+49) 0-180-532 78 32  
 Français Tel: (+49) 0-180-532 93 58  
 Italiano Tel: (+49) 0-180-534 16 80

**National Semiconductor Hong Kong Ltd.**  
 19th Floor, Straight Block,  
 Ocean Centre, 5 Canton Rd.  
 Tsimshatsui, Kowloon  
 Hong Kong  
 Tel: (852) 2737-1600  
 Fax: (852) 2736-9960

**National Semiconductor Japan Ltd.**  
 Tel: 81-043-299-2309  
 Fax: 81-043-299-2408

National does not assume any responsibility for use of any circuitry described, no circuit patent licenses are implied and National reserves the right at any time without notice to change said circuitry and specifications.